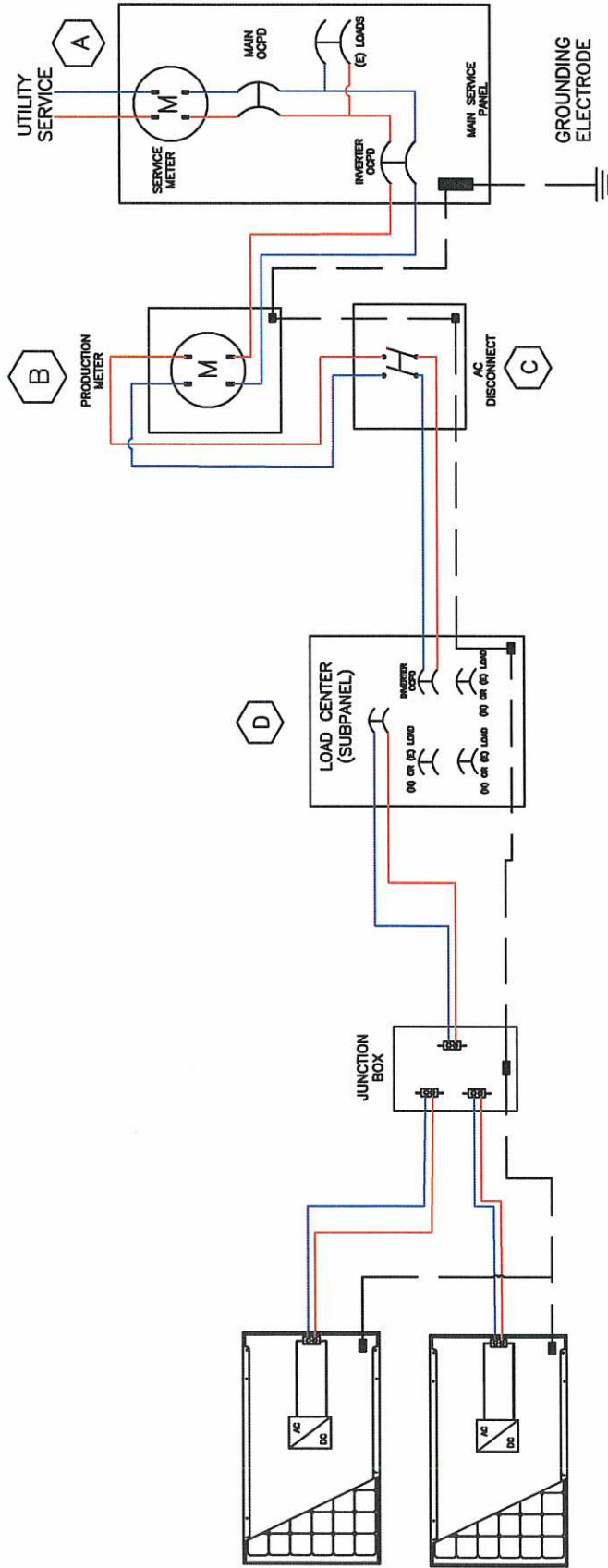


THIS STANDARD SHOWS THE REQUIREMENTS FOR A PHOTOVOLTAIC SINGLE-PHASE BASIC SYSTEM WITH MICRO INVERTERS



NOTES:

- A. MAIN SERVICE PANEL MUST COMPLY WITH CEC LATEST REVISION AND MUST OPERATE IN A SAFE MANNER.
 1. C.O.B. ELECTRIC UTILITY WILL NOT ALLOW INTERCONNECTION WITH ANY UNSAFE CONDITIONS.
 - B. PRODUCTION METER PROVIDED AND INSTALLED BY C.O.B. ELECTRIC UTILITY AT CUSTOMERS EXPENSE, METER SOCKET PROVIDED BY INSTALLER.
C.O.B. ELECTRIC UTILITY WILL ACTIVATE THE PV SYSTEM AFTER IT MEETS ALL REQUIREMENTS, AND PASSES ALL INSPECTIONS.
 1. CENTER OF METER MUST BE INSTALLED BETWEEN 4'0" AND 6'3" ABOVE FINAL GRADE.
 - C. LOCKABLE KNIFE-BLADE UTILITY A.C. DISCONNECT TO BE LOCATED WITHIN 10' AND LINE OF SIGHT OF SERVICE PANEL AND MUST COMPLY WITH EUSERC DWG 501.
 - D. INVERTER MUST COMPLY WITH UL1741 REQUIREMENTS. GROUNDING ELECTRODE SYSTEM MUST COMPLY WITH LATEST REVISION OF CEC ARTICLE 690.47.
 1. SEPARATE D.C. DISCONNECT AT GRADE LEVEL REQUIRED ONLY IF INVERTER DOES NOT HAVE AN INTEGRATED D.C. DISCONNECT
- NOTE: A LEASED SYSTEM MAY INCLUDE A SEPARATE METER PROVIDED AND INSTALLED BY THE LEASING COMPANY.
1. LEASED METER WILL NOT BE INSTALLED BETWEEN PRODUCTION METER AND MAIN SERVICE PANEL.
 - ALL PV SYSTEMS MUST COMPLY WITH THE LATEST REVISION TO CEC ARTICLES 690 AND 705.
 - ALL NECESSARY CLEARANCES SHALL COMPLY WITH CEC ARTICLE 110.26
 - ALL SIGNS OR DIRECTORIES SHALL BE ATTACHED TO THE ELECTRIC EQUIPMENT OR LOCATED ADJACENT TO THE IDENTIFIED EQUIPMENT (AS APPROVED BY THE AHJ).
 - ALL SIGNS SHALL BE OF SUFFICIENT DURABILITY TO WITHSTAND THE ENVIRONMENT.
 - ALL SIGNS SHALL BE PERMANENTLY ATTACHED BY MEANS OF EPOXY OR EQUIVALENT SUITABLE FOR THE ENVIRONMENT (SCREWS OR RIVETS ARE NOT ALLOWED).
 - ALL SIGNS SHALL BE EITHER METAL OR PLASTIC WITH ENGRAVED LETTERS, MACHINE PRINTED LETTERS, OR ELECTRO-PHOTO PLATING LETTERS IN RED WITH WHITE LETTERING.



APPROVED: *Bob Kojan* DATE: 9/19/19

PHOTOVOLTAIC SINGLE-PHASE SYSTEM DIAGRAM MICRO INVERTER (RESIDENTIAL)

SD

600-80.2